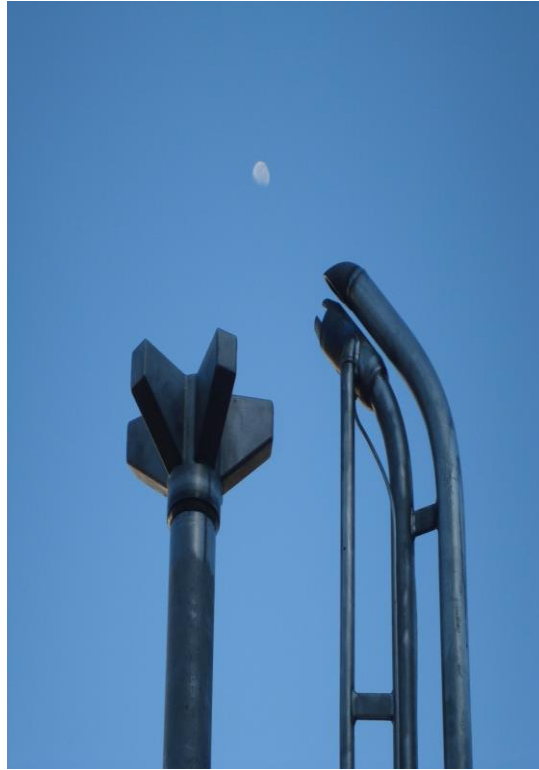


Model 255 GEMINEX Pilot



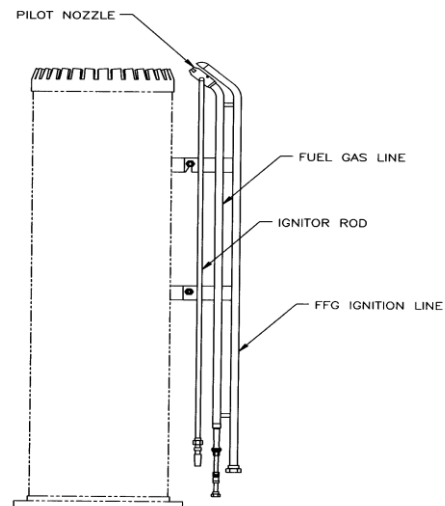
Description

The Model 255 pilot is a combination of our Model 245 pilot and Model 250 ENERGEX pilot. The Model 255 pilot can be ignited using a flame front generator and/or the Excitor (electronic sparking device). This pilot provides double security in case one ignition system should fail to ignite the pilot for any reason. This pilot should be used in critical applications that require redundant ignition systems.

Model 255 GEMINEX Pilot

Advantages

- Rapid re-ignition response time
- Low fuel consumption
- Ease of installation and/or retro-fit application
- Durability due to high alloy, stainless steel construction
- Reliability: ignition and re-ignition
- Flame stability: wind velocities up to 150 mph (240 km/hr)
- Option of using flame front generator or elec sparking device



Specifications

DIMENSIONS

Length: 11'-0" (4.3m)
 Weight: 75 lb. (34.1 kg)

MATERIALS

Head: 309/310 SS
 Pilot gas line: 316 SS
 Ignition line: 316SS
 Excitor line: 316SS
 Inspirator: Cast Iron
 Consumption: 44 SCFH of Natural Gas @ 8 psig
 Fuel: Natural gas, propane, butane

Design Features

- High alloy steel construction
- Robust spark rod assembly
- Mass isolated ignitor housing produces spark even when submerged in water
- 110, 240, or 24 volt power options
- Manual or automatic operation